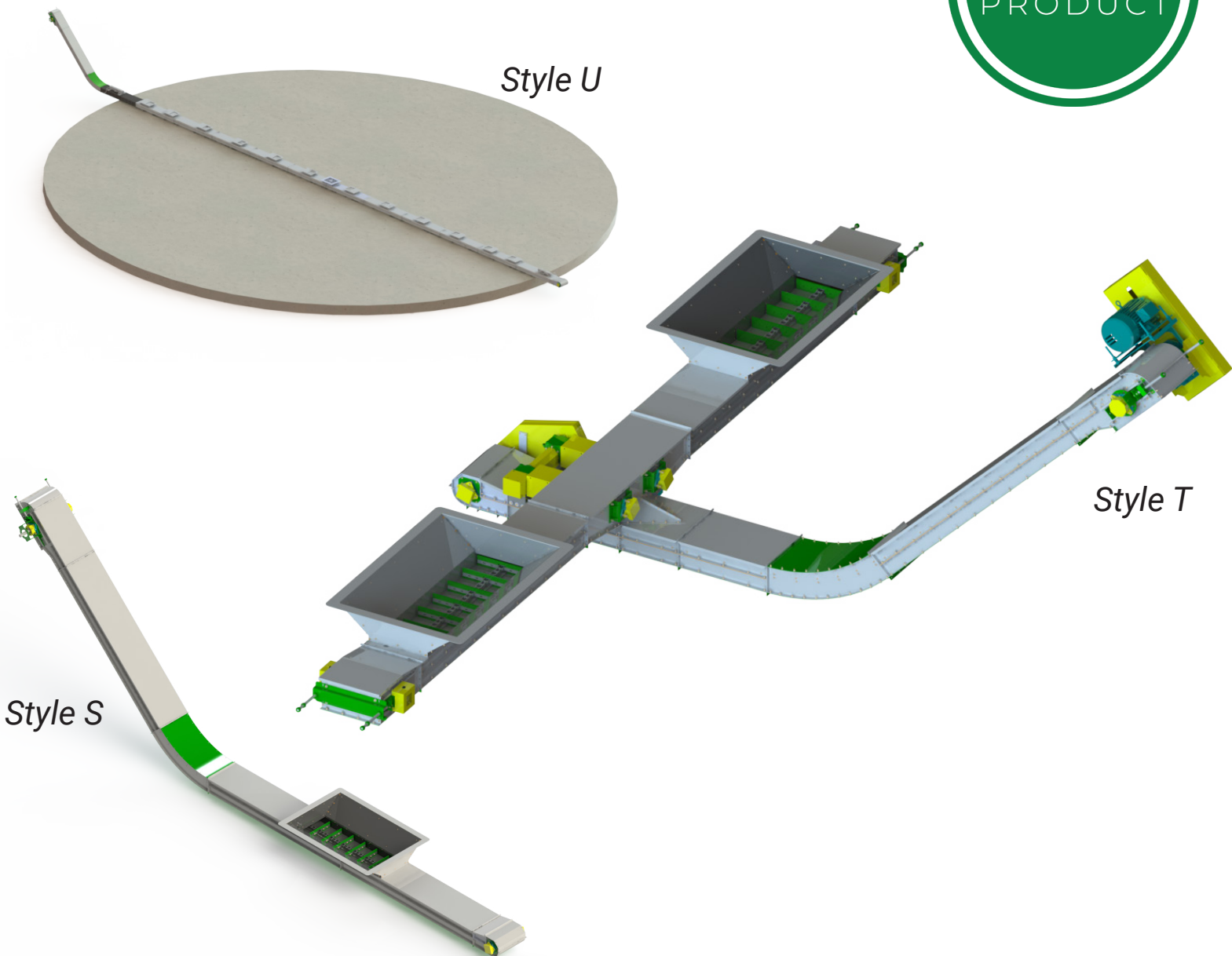




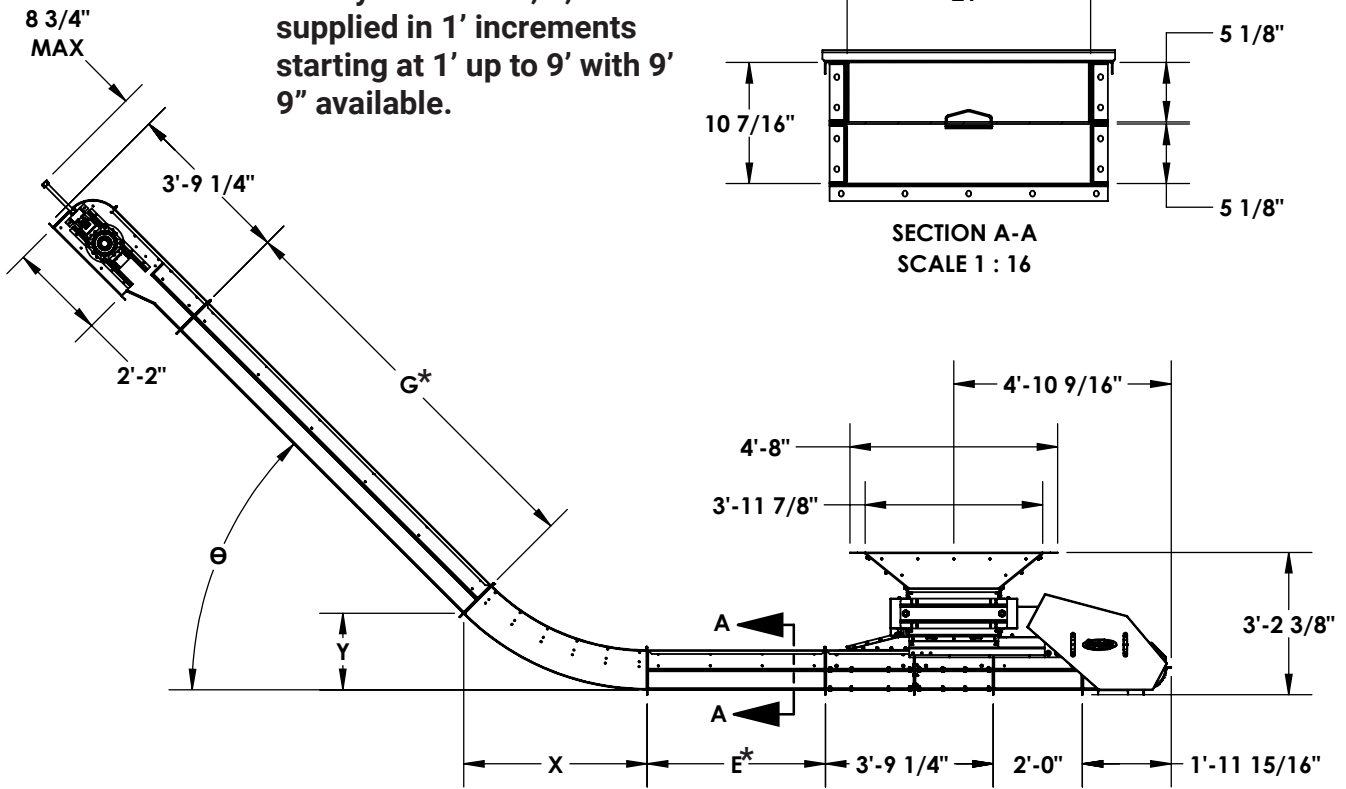
# TRIPLE RUN CONVEYOR

## FEATURES

- Multi-functional conveyor for receiving or reclaiming grain
- Utilizes a low profile design capable of being flood fed
- Self-cleaning conveying sections (patent pending)
- Reclaim style will fit under 17" floor and has a Powersweep option
- Grain conveys in upper chamber on  $\frac{3}{16}$ " AR divider pan



\* Body sections G, E, and E2 supplied in 1' increments starting at 1' up to 9' with 9' 9" available.



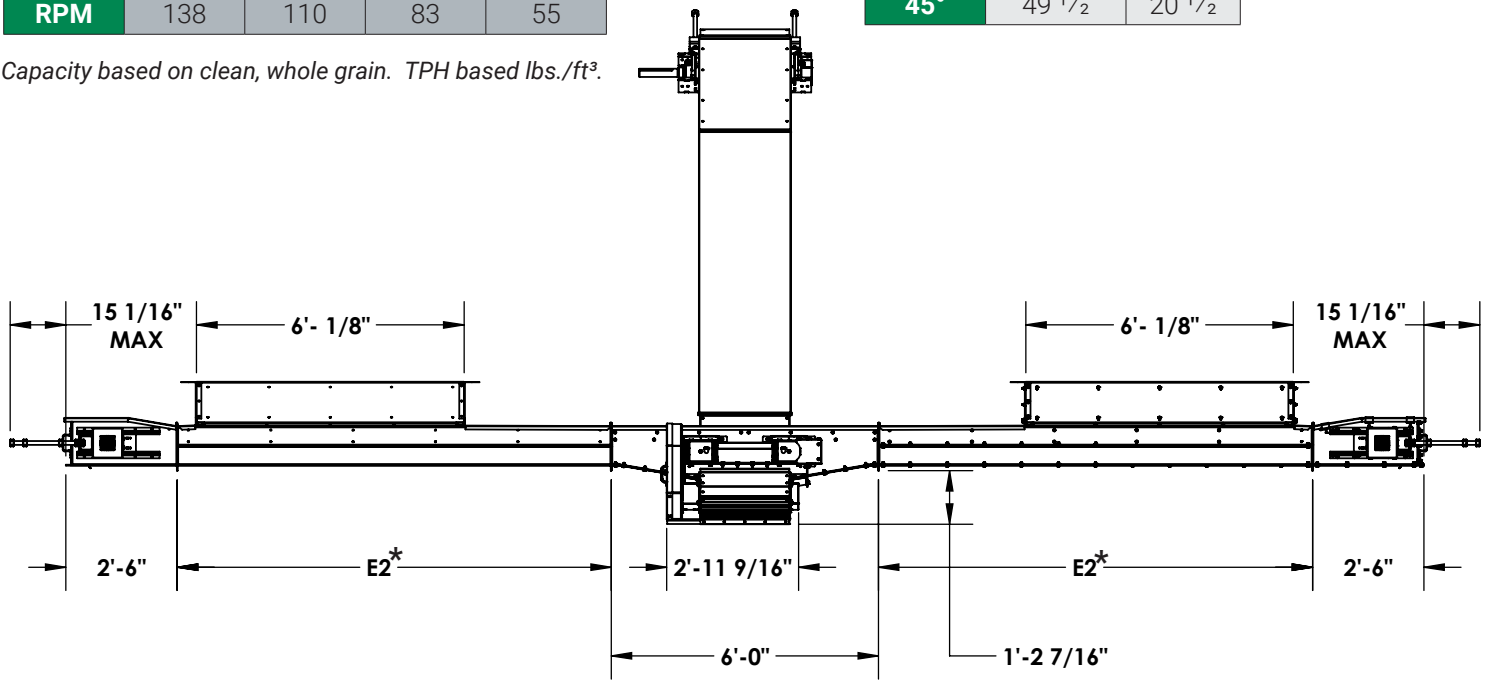
<b>BPH</b>	10,000	8,000	6,000	4,000
<b>TPH</b>	299	239	179	120
<b>FPM</b>	363	290	220	145
<b>RPM</b>	138	110	83	55

Capacity based on clean, whole grain. TPH based lbs./ft<sup>3</sup>.

	<b>X</b>	<b>Y</b>
<b>20° **</b>	23 15/16	4 1/4
<b>30°</b>	35	9 3/8
<b>45°</b>	49 1/2	20 1/2

Dimensions, in inches, by degree of discharge angle for conveyor

\*\*Special order will require extended lead time.



**Sukup Manufacturing Co. ■ www.sukup.com**

Box 677 ■ 1555 255th Street ■ Sheffield, Iowa 50475-0677 ■ ph 641.892.4222 ■ fx 641.892.4629 ■ info@sukup.com

**Distribution Centers**

Cameron, MO 64429  
7426 NE 352nd St.  
ph 816.649.2226  
missouri@sukup.com

Arcola, IL 61910  
980 E. State Rte. 133  
ph 217.268.3026  
illinois@sukup.com

Aurora, NE 68818  
1705 Hwy. 34 E.  
ph 402.694.5922  
nebraska@sukup.com

Defiance, OH 43512  
7724 Rte. 66 N.  
ph 419.784.9871  
ohio@sukup.com

Jonesboro, AR 72403  
204 Best Industrial Dr.  
ph 870.932.7547  
arkansas@sukup.com

Watertown, SD 57201  
2701 Piper Ave.  
ph 605.882.6697  
southdakota@sukup.com