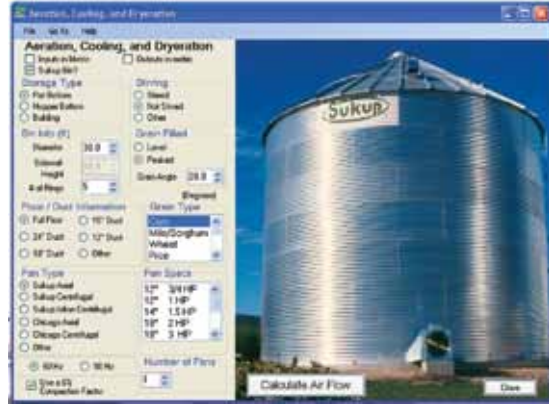


Different types of fans are designed for different operating situations. It is important to match the fan to your system. The chart below is designed to help in the decision making process by comparing different fan types at various static pressures.

Your dealer can also help you make the right choice with their knowledge and the assistance of the Sukup Airflow and Drying Rates Program.



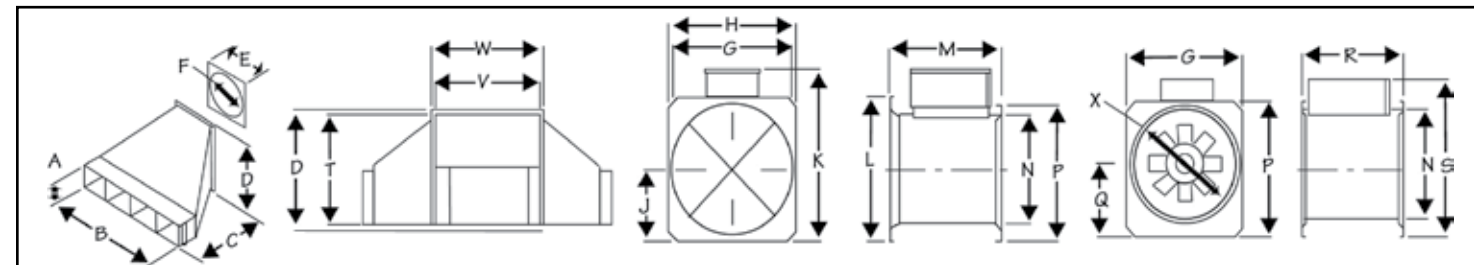
Fan Comparisons - m ³ /min.							
Static Pressure - millimeters of water							
Fan Type	kW	RPM	0	51	102	152	203
Axial	3.7-5.5	3500	362	292	177	--	--
Centrifugal	5.5	1750	340	294	241	190	--
High-Speed Centrifugal	5.5	3500	142	130	120	109	96
In-Line Centrifugal	3.7-5.5	3500	180	165	146	134	111

Airflows for Aeration Applications - m ³ /min.												
Model		Static Pressure - millimeters of water										
Dia.	kW	0	13	25	38	51	64	76	89	102	114	127
30.5 cm	.5	54	47	37	23	16	9	3	--	--	--	--
30.5 cm	.55	65	56	41	25	17	9	--	--	--	--	--
35.6 cm	1	89	81	72	60	43	29	20	--	--	--	--
45.7 cm	1-1.1	154	137	120	102	79	57	42	30	--	--	--
45.7 cm	2.2	198	187	174	158	137	112	88	68	54	48	37

Certified Airflows* for Axial Fans - m ³ /min.										
Model		Static Pressure - millimeters of water								
Dia.	kW	0	25	51	76	102	127	152	178	203
61 cm	3.7-5.5	362	333	292	244	177	95	54	17	--
61 cm	5.5-7.5	430	389	347	297	215	110	59	11	--
71.1 cm	7.5-11.2	539	490	442	385	314	208	136	79	20

*Sukup Manufacturing Co. certifies that the airflow for the fan models above has been determined by an INDEPENDENT airflow testing laboratory.

Airflows for Low Speed Axial Fans - m ³ /min.									
Model		Static Pressure - millimeters of water							
Dia.	kW	0	13	25	38	51	64	76	89
96.5 cm	11.2	793	736	680	631	617	538	467	382
111.7 cm	11.2	1189	1133	1019	906	779	631	405	--
111.7 cm	22.4	1303	1243	1172	1099	1028	951	866	765



Axial Fan and Heater Dimensions - centimeters																					
Dia.	A	B	C	D	E	F	G	H	J	K	L	M	N	P	Q	R	S	T	V	W	X
30.5	26	102.2	91.4	51.1	50.8	31	35.9	35.9	17.8	37.5	35.9	41	30.8	35.9	--	--	--	46.3	45.7	50.8	--
35.6	26	102.2	91.4	51.1	50.8	36	41	41	20.3	42.9	41	41	36	41	--	--	--	46.3	45.7	50.8	--
45.7	26	102.2	91.4	51.1	50.8	45.9	45.4	50.5	25.4	48.6	46.3	46.2	50.5	25.4	61.6	72.4	72.4	46.3	45.7	50.8	49.8
61	26	141.6	96.5	80	80	61.6	70.2	76.2	41.9	96.5	80	67.3	61.4	76.5	76.2	61.6	96.5	72.4	72.4	80	66
61	28	119.4	96.5	80	80	61.6	--	--	--	--	--	--	--	--	--	--	--	72.4	72.4	80	--
66	--	--	--	--	--	72.4	--	--	--	--	--	--	66.7	72.4	36.2	61.6	91.4	72.4	72.4	80	69.2
71.1	26	141.6	96.5	80	80	--	80.3	85.4	46.3	106.7	89.1	68.3	71.9	86.7	46.3	61.6	105.4	72.4	72.4	80	75.6
71.1	28	119.4	96.5	80	--	--	--	--	--	--	--	--	--	--	--	--	--	72.4	72.4	80	--
96.5	36.2	254.6	125.1	97.8	105.4	--	--	108	80.3	132.1	--	72.4	97.5	114.3	80.3	76.2	132.1	--	--	--	--
111.7	--	--	--	--	--	--	--	123.2	73	152.4	--	74.3	112.7	134.6	73	76.2	152.4	--	--	--	--

L11285-032014S

Sukup Fans and Heaters Metric Specifications

Certified Airflows* for 1750 RPM Centrifugal Fans - m ³ /min.												
1750 RPM	Static Pressure - millimeters of water											
kW	0	25	51	76	102	127	152	178	203	229	254	
2.2	150	127	108	96	85	74	-	-	-	-	-	
3.7*	269	252	217	190	170	142	-	-	-	-	-	
5.5*	340	320	294	266	241	218	190	-	-	-	-	
7.5*	453	429	402	374	345	317	286	221	93	-	-	
11.2*	510	481	456	430	405	360	331	314	246	-	-	
14.9*	668	646	616	585	555	524	487	447	411	340	-	
18.6	680	657	631	603	575	547	515	484	453	396	-	
22.4 sng.	699	674	648	622	596	570	545	520	492	464	343	
22.4 dbl.	963	912	858	810	765	722	665	617	552	473	388	
29.8 sng.	886	866	847	821	793	762	728	694	660	623	586	
29.8 dbl.	1229	1172	1113	1056	980	900	824	770	708	629	538	
37.3 sng.	915	--	868	--	820	--	773	--	720	--	659	
37.3 dbl.	1529	1438	1342	1246	1150	1059	963	872	810	731	581	

*Sukup Manufacturing Co. certifies that the airflow for designated fan models has been determined by an INDEPENDENT airflow testing laboratory.

Airflows for 3500 RPM Centrifugal Fans - m ³ /min.												
3500 RPM	Static Pressure - millimeters of water											
kW	0	51	102	152	203	254	305	356	406	457	508	559
2.2	93	79	68	55	38	25	-	-	-	-	-	-
3.7	126	115	101	85	67	44	-	-	-	-	-	-
5.5	143	130	120	109	96	82	67	47	-	-	-	-
7.5	207	194	180	164	153	133	112	68	-	-	-	-
11.2	285	269	251	228	208	180	135	75	-	-	-	-
14.9	306	293	279	263	246	231	214	194	174	147	116	-
22.4	411	391	368	348	328	306	289	266	238	221	193	-
29.8	538	518	487	459	433	405	371	331	269	255	221	-
37.3	634	600	569	547	524	503	467	426	401	367	326	-
44.7	680	660	640	609	589	552	532	503	481	453	436	411

Centrifugal Heater Max Kcal/HR				
Heater Model	Temp Rise	Fan Kilowatts		
		5.5-11.2	14.9	22.4-37.3
Hi-Temp	10-82°C	680K	932K	1361K
Lo-Temp	-4-24°C	181K	181K	363K
Super Lo-Temp	-12-1°C	76K	126K	252K

Sukup Manufacturing Co. provides this information to assist you in choosing the optimal equipment for your situation. Sukup specifications should only be used as estimates, and not as a warranty, express or implied, of how a particular Sukup unit will perform under your operating conditions. Because we are continuously improving Sukup products, changes may occur that may not be reflected in the specifications.

#1 in Performance & Quality



1750 RPM Centrifugal Fan Dimensions - centimeters

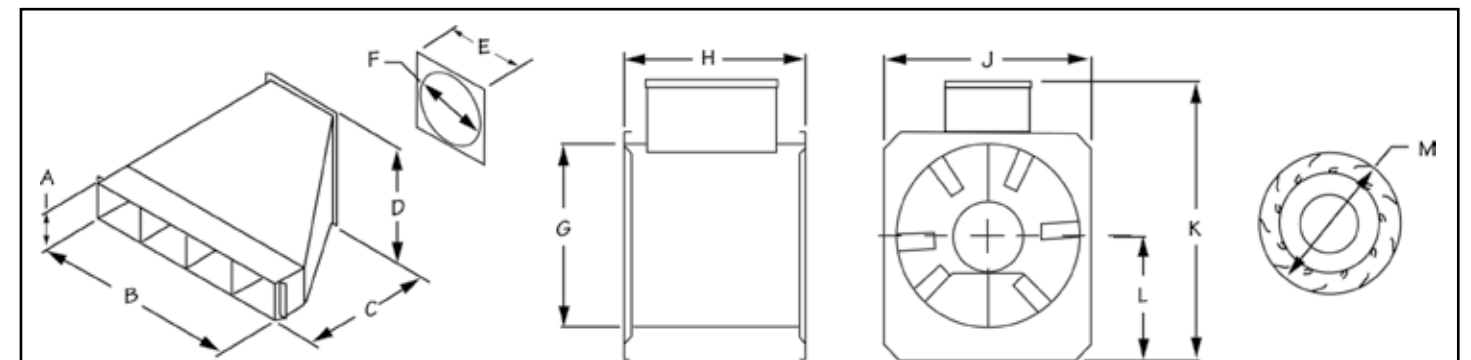
kW	A	B	C	D	E	F	G	H	I	J	K	L	M	N	P	R
2.2	91.4	--	80.6	93	50.2	30.5	74.9	27.9	114.3	61	88.3	66	41	122	97.5	62.9
3.7	91.4	--	107.3	128.9	68.9	39.7	82.5	27.9	114.3	61	88.3	66	50.8	122	97.5	77.1
5.5 Std.	91.4	61	107.3	128.9	74	45.7	97.8	26	122.8	47	73.7	73.7	56.2	55.9	79.4	82.9
5.5 HD*	--	--	--	--	--	--	--	27.9	114.3	61	88.3	--	--	122	97.5	--
7.5 Std.	91.4	61	107.3	128.9	74	46.4	100.3	26	122.8	47	73.7	80	56.8	55.9	79.4	82.9
7.5 HD*	--	--	--	--	--	--	--	27.9	114.3	61	88.3	--	--	122	97.5	--
11.2 Std.	91.4	61	107.3	128.9	74	48.9	107.3	26	122.8	47	73.7	80	59.7	55.9	79.4	82.9
11.2 HD*	--	--	--	--	--	--	--	27.9	114.3	61	88.3	--	--	122	97.5	--
14.9 Std.	83.8	61	122.5	150.5	88.3	50.8	109.2	26	174.6	51.4	86.4	89.2	61.6	59.1	92.7	95.9
14.9 HD*	--	--	--	--	--	--	--	27.9	114.3	61	88.3	--	--	122	97.5	--
18.6 Std.	83.8	61	122.5	150.5	88.3	53.3	116.8	26	174.6	51.4	86.4	89.2	64.1	59.1	92.7	95.9
18.6 HD*	--	--	--	--	--	--	--	27.9	114.3	61	88.3	--	--	122	97.5	--
22.4 Std.	91.4	71	122.5	150.5	88.3	61	122	26	174.6	51.4	86.4	89.2	71.4	59.1	92.7	95.9
22.4 HD*	--	--	--	--	--	--	--	27.9	114.3	61	88.3	--	--	122	97.5	--
22.4 Dbl.	122	61	125	150.5	86.7	106.7	203.2	36.2	254.6	42	87.6	89.2	117.2	119.4	94	95.9
29.8 sng.	--	--	122.8	150.3	87.6	65.7	141.8	27.3	113.5	26	88.6	89.2	76.4	76.2	97.5	95.9
29.8 dbl.	122	61	125	150.5	86.7	106.7	203.2	36.2	254.6	53.3	87.6	89.2	117.2	119.4	94	95.9
37.3 sng.			141.6	163.4	87.6	57.3	134		Call for Details			107	66.2	Call		95.9
37.3 dbl.	122	61	125	150.5	86.7	111.8	213.4	36.2	254.6	53.3	87.6	89.2	122.2	119.4	94	95.9

3500 RPM Centrifugal Fan Dimensions - centimeters

kW	A	B	C	D	E	F	G	H	I	J	K	L	M	N	P	R
2.2	91.4	--	74.3	79.4	42.5	18.7	67.3	27.9	114.3	61	88.3	45.7	28.6	122	97.5	49.2
3.7	91.4	--	74.3	79.4	42.5	22.9	122	27.9	114.3	61	88.3	45.7	33.3	122	97.5	49.2
5.5	91.4	--	76.2	90.8	48.3	23.8	76.2	27.9	114.3	61	88.3	55.2	34.3	122	97.5	57.2
7.5	91.4	--	76.2	90.8	48.3	28.6	32	27.9	114.3	61	88.3	55.2	39.4	122	97.5	57.2
11.2	91.4	--	76.2	90.8	48.3	31.4	83.8	27.9	114.3	61	88.3	55.2	41.6	122	97.5	57.2
14.9	83.8	--	80.6	93	53	28.9	92.4	27.9	114.3	61	88.3	66	39.1	122	97.5	62.9
22.4	91.4	--	80.6	93	53	34.9	110.5	27.9	114.3	61	88.3	66	47.3	122	97.5	62.9
29.8	91.4	--	107.3	128.9	68.9	39.7	114.9	27.9	114.3	61	88.3	66	50.8	122	97.5	77.1
37.3	91.4	--	107.3	128.9	74	39.7	115.6	27.9	114.3	61	88.3	73.7	50.8	122	97.5	82.9
44.7	91.4	--	107.3	128.9	74	41	120.3	27.9	114.3	61	88.3	73.7	51.4	122	97.5	83.8

Airflows for In-Line Centrifugal Fans - CFM

Dia.	kW	Static Pressure - inches of water								
		0	25	51	76	102	127	152	178	203
45.7 cm	3.6	126	112	99	87	74	54	30	--	--
61 cm	3.7-5.5	180	173	165	155	146	140	134	124	111
61 cm	5.5-7.5	216	205	193	185	177	165	154	146	127
71 cm	7.5-11.2	267	251	236	222	211	201	193	185	177



3500 RPM In-Line Centrifugal Fan Dimensions - centimeters

Dia.	HP	A	B	C	D	E	F	G	H	J	K	L	M
45.7 cm	3.6	26	102.2	91.4	49.5	49.5	46.4	46.2	60.3	49.5	61	24.8	35.6
61 cm	3.7-5.5	26	141.6	96.5	80	80	61	61	61	72.4	95.9	42.5	43.2
61 cm	5.5-7.5	26	141.6	96.5	80	80	61	61	61	72.4	95.9	42.5	43.2
71 cm	7.5-11.2	26	141.6	96.5	80	80	61	71.6	68.6	80	104.1	47	47

*Heavy-Duty (HD) transitions are made of 14 gauge galvanized steel. They are narrower to fit between stiffeners on stiffened bins and for aeration tunnels.