

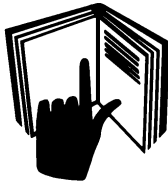
CULTIVATOR SAFETY SECTION



The above safety-alert symbol means "ATTENTION! Be Alert! Your personal safety is involved" This symbol draws your attention to important instructions concerning your personal safety. Read the message carefully to avoid personal injury or death.

FOLLOW MACHINE SAFETY SIGNS & MESSAGES

Observe safe operating practices. Carefully read this manual and all safety signs on your equipment. Safety signs must be kept in good condition. Replace missing or damaged safety decals; available from Sukup Mfg. Co., Box 677, Sheffield, Iowa 50475 at no charge.



Learn how to use controls and operate machine. Do not let anyone operate unit (especially youth) without thorough training of basic operating and safety procedures.

Make no unauthorized modifications to machine. Modifications may endanger function and/or safety of unit. Keep unit in good working condition.

EMERGENCIES - KNOW WHAT TO DO

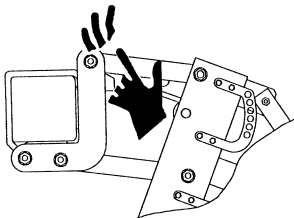
Have emergency numbers near your telephone:

- For doctors:
- Emergency medical squad:
- Ambulance service:
- Hospital:
- Fire department:

Have written directions to your location.


 **CAUTION!**

Pay close attention to pinch points. Be especially careful when raising or lowering unit while assembling. Could cause crushing or loss of fingers.




OPERATE SAFELY


Lower unit when not in use.
 When leaving tractor always shut off engine, shift to "park," and remove key.
 Slow down when turning.
 Drive slowly over rough terrain.
 Do NOT operate close to ditch or creek.
 Keep SMV emblem and reflectors clean and visible.

 **CAUTION:** Relieve pressure from hydraulic hoses before connecting or disconnecting hoses from breakaway couplers.

Failure to observe these precautions could result in serious injury.


 **CAUTION:** Air in lines may cause jerky operation. Be sure cylinders and attaching hoses are fully charged with oil before operating.

Failure to do so will allow wing to fall rapidly and could result in serious injury or death.

 **DANGER:** To prevent being crushed:

- Always lower unit to ground when not in use,
- **Never** go under unit when in raised position,
- If necessary for maintenance, securely block up unit before servicing.



 **DANGER:** To prevent being crushed never go between unit and implement unless ALL of the following are met:

- Hydraulic pressure is relieved,
- Unit is resting on ground,
- And tractor is shut off.



⚠ WARNING: Escaping fluid under pressure can cause serious injury and requires doctor's immediate attention. (Must be surgically removed within a few hours otherwise gangrene could result).

Keep away from hydraulic system until pressure is relieved.

Use cardboard or wood (NOT YOUR HAND) to search for leaks.



Before applying pressure to hydraulic hoses, be sure all connections are tight and that hoses, fitting, and cylinders are in good working order.

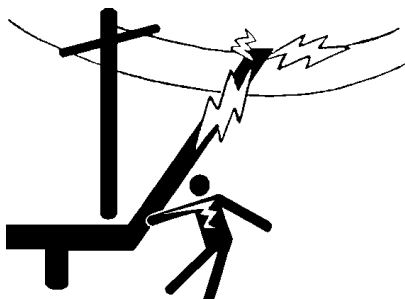
⚠ DANGER: If cylinders are not bled, wings could drop or unload unexpectedly, causing injury or death.

Keep everyone clear of machinery when folding or unfolding wings and have implement on level ground.

- Attach cylinder base ends to linkage, leaving rod ends detached.
- Attach all hoses in hydraulic circuit.
- Connect hoses to tractor extend and retract (fully charged) cylinders several times, pausing at full extension for thirty seconds. Extend one more time maintaining pressure at full extension for one minute. This allows air to escape from cylinders.

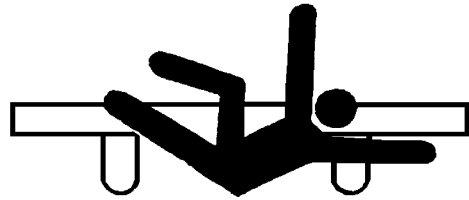


⚠ DANGER: To prevent electrocution, keep away from electrical lines especially when folding or unfolding unit.



KEEP RIDERS OFF UNIT

Riding on any agricultural equipment is very dangerous. People can be killed or seriously injured when accidentally falling off of unit, or by thrown objects



TRANSPORT SAFETY

⚠ WARNING: Transporting this equipment on public roads may result in serious injury or death.

If road travel is required it is essential that all the following procedures are followed:

1. Read and understand - operator's manual.
2. Check and comply with state and local regulations.
3. Be sure tractor has slow moving vehicle emblem and that all required warning lights are in working order.
4. Use tractor warning lights during transportation.
5. Use required warning flags, emblems or lights.
6. Check that red reflectors are on back of unit (at outer edges) and clearly visible.
7. Check that amber reflectors are on front of unit (at outer edges) and clearly visible.
8. Travel at a reasonable and safe speed. Reduce speed and/or use lower gear on rough ground or slopes.
9. Transport unit in its narrowest configuration. Wings must be completely folded.
10. Stop slowly.
11. Have extended rear angle mirrors on vehicles.
12. Signal and check behind your when turning.

⚠ WARNING: Check for other vehicles when turning. (2/3 of roadway farm accidents occur when turning.)

- Use mirrors,
- Be sure to have clear visibility,
- Use signal lights

WARNING: Do not transport unit in areas of poor visibility- Especially on hills, During poor weather conditions, Or at night

⚠ Failure to do so may cause serious injury or death. Use good judgement when transporting. Maintain complete control of machine at all times. Comply with state and local laws governing road safety and regulation when moving machinery. Always strive to prevent accidents! Watch out for other vehicles.

CULTIVATOR SAFETY SECTION DECAL PLACEMENT FOR FOLDING & RIGID UNITS

Mount safety decals when cultivator is assembled. Please check that all decals are in place according to this drawing and in good legible condition.

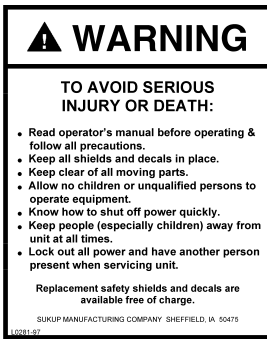
IMPORTANT! If suggested locations are not clearly visible, place safety decals in more suitable area. Never cover up any existing safety decals.

Make sure location for decal is free from grease, oil and dirt. Remove backing from decal and place in proper position. To order replacement decals (no charge) contact your dealer or Sukup Manufacturing Co., Box 677 Sheffield, Iowa 50475. Please specify computer number.

1. Amber Reflector Tape - **L0276 (2" x 4-1/2")**

2. Red Reflector Tape - **L0277 (2" x 4-1/2")**
(located on rear of tool bar so it is visible to anyone following cultivator.)

3. **Warning** -Safe Operation Decal - **L0281**



4. **Warning** - No Riders Decal - **L0274**



5. **Danger** - Prevent Being Crushed Decal - **L0282**



6. **Warning** - Hydraulic Pressure Decal - **L0273**
(On folding and/or lift assist units only)



7. **Danger**- Prevent Electrocutation Decal - **L0272**
(On folding units only)



8. **Danger** - Keep clear of unfolding Wings Decal - **L0256**
(on folding units only)



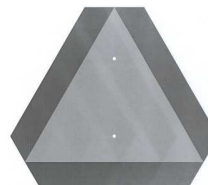
9. **Warning** -Beware of Pinch Points Decal- **L02841**



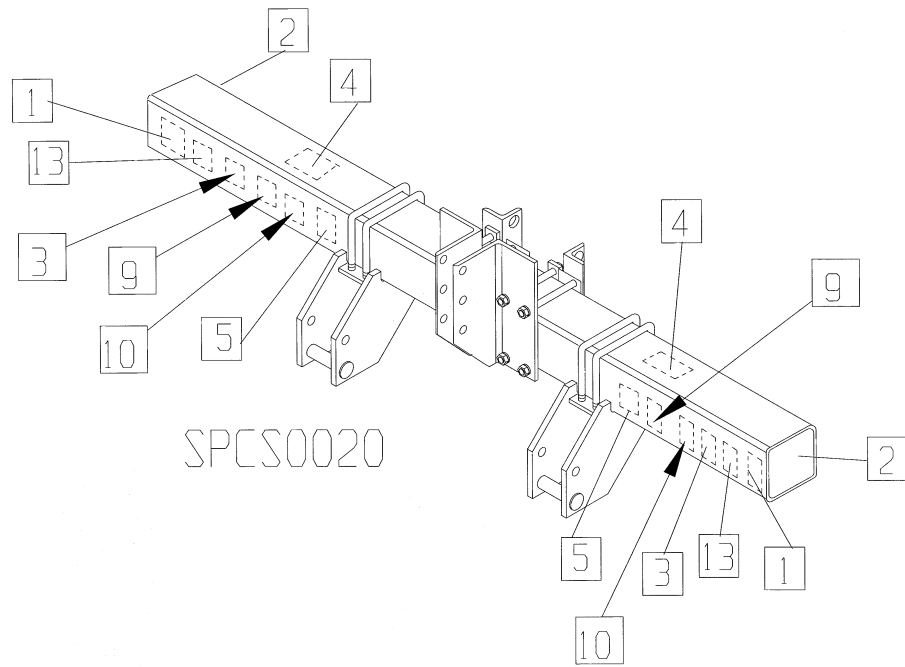
10. **Caution** -Not intended for use on Public Roads - Decal - **L0285**



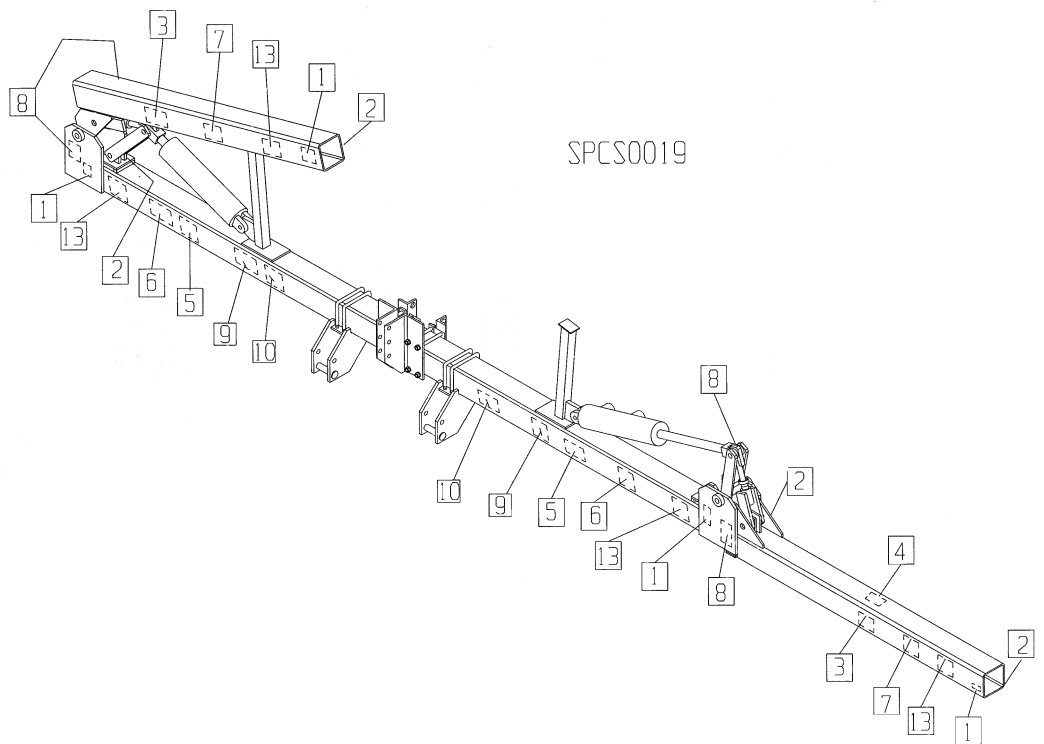
12. Slow Moving Vehicle Sign Decal -**J2250**



13. Orange reflector tape **L02765 (2" x 9")**
On tool bar.



To prevent serious injury or death to you or your family it is essential that these safety decals are mounted on your Sukup Rigid or Folding Tool Bar. Safety Packet for 4200 Cultivator - #M29921 for 9400 Cultivator - #M2992. Numbers on below drawings refer to location on Safety decals listed on next page.



INTRODUCTION

This manual contains an illustrated parts catalog and instructions for installation, operation, and service of unit. Read carefully and follow instructions.

Parts catalog covers serviceable parts and is broken down into groups for each section of unit.

Parts shown in exploded views of assemblies are reference numbered and correspond to numbers in Ref. No. (Reference Number) column of parts list following each illustration. **DO NOT ORDER PARTS BY REFERENCE NUMBERS.** Part number and part description are shown with reference numbers. Total number of parts required per unit or assembly is shown opposite each part number.

When ordering parts, always give parts number and part description. If part number can not be found in manual, give clear description of part and its location and function. Specify machine type and size.

9400 CULTIVATOR

TO THE PURCHASER

This new cultivator was carefully designed to give years of dependable service. To keep it running efficiently, read the instructions in this manual. Each section is clearly identified so that you can find the information you need. Read contents to learn where each section is located.

In addition to the equipment furnished with your cultivator, attachments are available to help you do a better job. Right hand and left hand sides are determined by facing in the direction the cultivator will travel when in use.

Record your cultivator serial number. Your dealer needs this information to give you prompt, efficient service when you order parts or attachment. If your cultivator requires replacement parts, go to your Sukup dealer where you can obtain genuine Sukup parts. Accept no substitutes. The warranty on this cultivator appears on page 3.

GENERAL INSTRUCTIONS

Read all assembly instructions carefully and observe illustrations. Lubricate all bushings and moving parts as you proceed. Bolts should be used in the holes in which they are designated. Leave bolts loose until parts are attachments are completely assembled. Then tighten bolts. It is important that bolts are tight. Loose bolts can cause breakage of parts. If bolts must be replaced, replace them only with bolts of equal strength. The radial lines on the bolt determine their strength. SAE 2 strength bolts have a plain head. ASE 5 bolts have 3 radial lines on the head. ASE 8 bolts have 6 radial lines on the head.

OPERATION

Be careful when operating the cultivator to avoid injury to the operator and assistants. If the cultivator must be in a raised position when working on it or near it, be sure proper safety precautions are taken.

Pay close attention to pinch points. Be especially careful when raising or lowering unit while assembling. Could cause crushing or loss of fingers.

Permit only one person, the operator, on the tractor platform while tractor and cultivator are in operation. Be careful when operating on side hills because the tractor may tip sideways if it strikes a hole, ditch, or other irregularity. Never ride or permit others to ride on the draw bar of the tractor or on the cultivator.

Hydraulic oil escaping under pressure can have sufficient force to penetrate the skin causing serious personal injury. Before disconnecting lines be sure to relieve all pressure. Before applying pressure to the system, be sure all connections are tight and that lines, pipes, and hoses are not damaged.

Oil escaping from a very small hole can be almost invisible. Use a piece of cardboard or wood instead of a hand to search for suspecting leaks. If injured by escaping oil, see a doctor at once. Serious infection or reaction can develop if proper medical treatment is not administered immediately. Always relieve pressure in a hydraulic system before working with hydraulic system components.

Agricultural chemicals can be dangerous. Improper selection or use can injury persons, animals, plants soil, or other property. Be safe, handle and apply with care. Follow instructions of chemical manufacturer. Finally, remember this, an accident is usually caused by the carelessness, neglect, or oversight of someone.