



Spredway®

Owner's Installation and Operation Manual

Sukup Manufacturing Co.

1555 255th Street, Box 677

Sheffield, Iowa, USA 50475-0677

Phone: 641-892-4222

Fax: 641-892-4629

Website: www.sukup.com

E-mail: info@sukup.com

| <u>DATES</u> | <u>REVISIONS</u> | <u>PAGES</u> |
|---|------------------|--------------|
| 12/05/2017 – Updated operation instructions | | 10 |

Safety Section



Read manual before installing or using product. Failure to follow instructions and safety precautions in manual can result in death or serious injury. Keep manual in a safe location for future reference.



On safety decals, this symbol and the signal words Danger, Warning, Caution and Notice draw your attention to important instructions regarding safety.

They indicate potential hazards and levels of intensity.



RED - DANGER indicates an imminently hazardous situation which, if not avoided, will result in death or serious injury.



ORANGE - WARNING indicates a potentially hazardous situation which, if not avoided, could result in death or serious injury.



YELLOW - CAUTION indicates a potentially hazardous situation which, if not avoided, may result in minor or moderate injury.



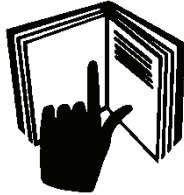
BLUE - NOTICE alerts you to practices unrelated to personal injury, such as messages related to property damage.

IMPORTANT: To prevent serious injury or death to you or your family, it is essential that safety decals are clearly visible, in good condition, and applied to the appropriate equipment.

FOLLOW MANUAL & SAFETY DECAL MESSAGES

Carefully read this manual and all safety decals on your equipment. Safety decals must be kept in good condition.

Replace missing or damaged safety decals by contacting Sukup Manufacturing Co. via mail at PO Box 677, Sheffield, Iowa USA, 50475; by phone at 641-892-4222; or by e-mail at info@sukup.com.



It is the responsibility of the owner/operator to know what specific requirements, precautions, and work hazards exist. It is also the responsibility of the owner/operator to inform anyone operating or working in the area of this equipment of hazards and safety precautions that need to be taken to avoid personal injury or death. Always keep children away from bins and vehicles with flowing grain.

Make no unauthorized modifications to machine. Modifications may endanger function and/or safety of unit. Keep unit in good working condition. Keep shields in place. Replace worn or missing shields free of charge by contacting Sukup Manufacturing Co.

GRAIN BIN SAFETY

Owners/operators are responsible for developing site-specific confined space entry procedures. OSHA's confined space entry procedures (29CFR 1910.146) can be found at www.osha.gov.

If you must enter bin for repair or maintenance:

- Use a safety harness, safety line and respirator
- Station another person outside of bin
- Avoid the center of the bin
- Wear appropriate personal protective equipment
- Keep clear of all augers and moving parts



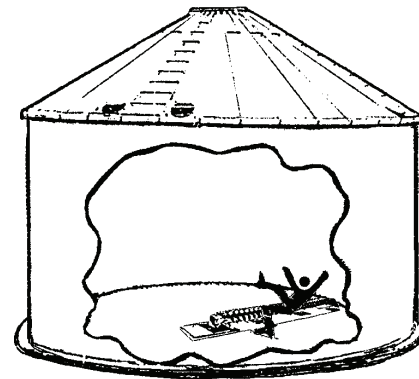
DANGER: Never enter bin unless all power is locked out and another person is present.



Rotating augers can kill or dismember!

NEVER enter bin when augers are running!

When bin is nearly empty, sweep auger will travel at an increasingly fast speed. Keep away from sweep and sump augers to avoid entanglement.



Failure to follow precautions above will result in death or serious injury.



DANGER: Flowing grain may trap and suffocate. If you enter a bin of flowing grain you can be completely submerged in grain in about 8 seconds.



Failure to heed this warning will result in death or serious injury.

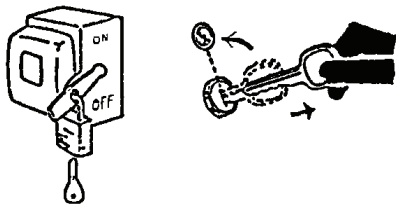
Safety Section

To avoid electric shock or electrocution, all equipment must be properly wired and grounded according to electrical codes. Have unit wired by qualified electrician.



Have an electrician install a main power disconnect switch capable of being locked only in OFF position. Mark disconnect clearly as to equipment it operates. Always lock out main power disconnect whenever equipment is not in use.

Service Disconnect



WARNING: When servicing equipment, never enter bin unless all power is locked out and another person is present. Always LOCK OUT all power and always check with voltage meter before servicing.

Failure to do so could result in death or serious injury.

Owners/operators are responsible for developing site-specific Lockout/Tagout procedures based on equipment at their work site. See OSHA's typical minimal lockout procedures (29CFR 1910.147 App A) at www.osha.gov.

WARNING: KEEP CLEAR OF ALL MOVING PARTS.

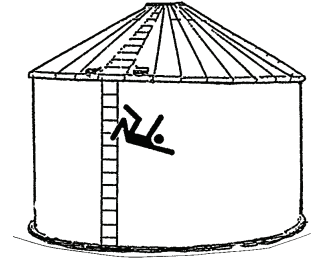
Keep people (ESPECIALLY YOUTH) away from equipment, particularly during operation.

Keep away from all moving parts. Keep all shields in place. **SHUT OFF AND LOCK OUT** all power before servicing.

Failure to follow precautions above could result in death or serious injury.



WARNING: Metal is slippery when wet. To avoid falls, never carry items if climbing on bin. Maintain secure hand and foothold if climbing on bin. Failure to do so could result in death or serious injury.



CAUTION: Metal edges are sharp. To avoid injury, wear protective clothing and handle equipment and parts with care.

Failure to do so may result in minor or moderate injury.

PERSONAL PROTECTIVE EQUIPMENT



Owners/Operators are responsible for developing site-specific personal protective equipment standards. OSHA's personal protective equipment standards (29CFR 1910.132) can be found at www.osha.gov.

EMERGENCIES – KNOW WHAT TO DO

Have emergency numbers and written directions to work site readily available in case of emergency. An area for emergency phone numbers to be recorded is provided below and at end of this manual.

Ambulance • Fire • Police: 9-1-1

Bin rescue team: _____

Emergency medical squad: _____

Address of work site: _____

Directions to work site: _____

Safety Section

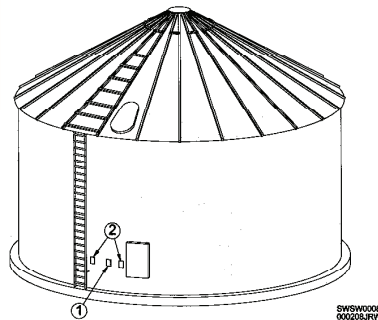
Safety decals should be mounted on your equipment as shown in this safety section. Yearly and prior to equipment use, check that all decals and shields are in place and legible.

To order a replacement decal or shield at no charge, contact your dealer or Sukup Manufacturing Co., Box 677, Sheffield, IA USA 50475. If replacement is necessary, make sure location for decal is free from grease, oil and dirt. Remove backing from decal and place in proper position.

Decals 1 and 2 must be mounted during installation. Decal 3 is mounted at factory. Make sure location for decal is free from grease, oil, and dirt. Remove backing from decal and place in proper position.

IMPORTANT: If suggested locations are not clearly visible, place safety decals in a more suitable area. Never cover up any existing safety decals.

- DECAL L0281 – WARNING:** To avoid serious injury or death. **Mount this decal** on bin sheet near door handle.



- DECAL L0258A – DANGER:** Do not enter this bin! **Mount this decal** on bin sheet near door handle and at all other entry points. Also mount this decal at eye level on bin sheet near ladder going to roof.



- DECAL L0284 – WARNING:** Keep away from all moving parts. Decal is factory-mounted on motor.



OPERATION

Proper pitch of spreading pans is the key to spreading grain evenly in bin. Pitch may easily be adjusted from top of spreader by rotating pre-spread disc. See Fig. 7.

NOTE: Spredway adjustment wrenches, Kit G01671, are available from Sukup Manufacturing Co.

Maximum capacity for Standard Spredway is 3,000 bushels per hour and for High Capacity is 5,000 bph and for Super High capacity is 7,000 bph.

TO ADJUST SPREADING PATTERN:

Loosen locking handle and rotate pre-spread disc to change pitch of spreading pans. Begin with spreading pans in level position. Rotate pre-spread disc clockwise to tilt pans downward. **NOTE:** Change in pitch may not be noticeable unless weight is applied to pans. Falling grain will keep pans in correct position during operation. Lock handle against disc.

IMPORTANT: Optimum pitch of spreading pans depends on diameter of bin and amount of grain flowing through spreader. Adjust so bulk of grain hits bin wall about one ring down from eave. To obtain best results, pitch of spreading pans may require adjustment after initial operation.

Center flow holes (see Fig. 2) control amount of grain that falls in center of bin. If grain is too high in center, rotate cover to make opening smaller. If grain is too low in center, rotate cover to make opening larger.

Pre-spread ring is designed to allow for multiple capacity rates. Knockouts on ring can be easily removed to increase rates. Proper settings are essential for peak performance. See Fig. 7 and use table below as a guide. Ring sizes and flow rates generally correspond to fill auger/spout diameters.

| RING SIZE | RATE OF FLOW |
|-----------|--------------|
| 6" | 1,500 bu/hr |
| 8" | 2,600 bu/hr |
| 10" | 4,000 bu/hr |

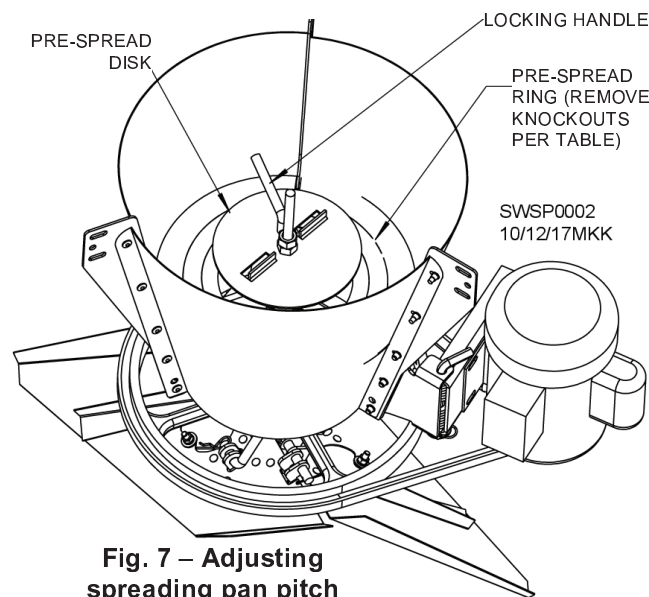


Fig. 7 – Adjusting spreading pan pitch

IMPORTANT: Grain flow must be centered over pre-spread disc for even spreading.

IMPORTANT: When looking from top down, make sure spreader is turning counterclockwise.



WARNING: Disconnect power before adjusting Spredway after installation. Contact with rotating pans could cause death or serious injury.

TROUBLESHOOTING

| PROBLEM | REASON | SOLUTION |
|--------------------------------|---|--|
| 1. Does not run. | Fuses blown. | Replace fuses. |
| | Belt off. | Replace belt. |
| 2. Belt comes off flat pulley. | Motor pulley not aligned w/flat pulley. | Align pulley. |
| | Motor mount bent. | Replace motor mount. |
| | Pitch rod is bent. | Replace bent parts. |
| | Belt not tight. | Replace spring & check belt size. |
| 3. Spreading unevenly. | Spreader not adjusted properly. | Adjust spreading pans. |
| | Spredway not level. | Level unit. |
| | Incoming grain spout not centered over pre-spread disc. | Move & secure grain spout over center of pre-spread disc or use a pre-spread funnel. |
| 4. Vibration | Spredway improperly or insecurely mounted. | Ensure proper brackets are used. Tighten bolts. |